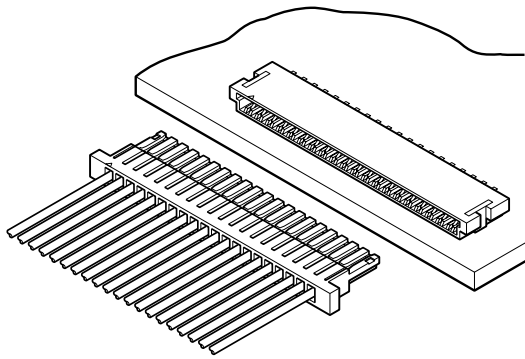


SHL CONNECTOR

1.0mm pitch/Disconnectable Crimp style connectors



- Thin design
- Low insertion force
- Deformation preventive design

Specifications

- Current rating: 1.0A AC, DC (AWG #28)
- Voltage rating: 50V AC, DC
- Temperature range: -25°C to +85°C
(including temperature rise in applying electrical current)
- Contact resistance: Initial value/20m Ω max.
After environmental testing/40m Ω max.
- Insulation resistance: 100M Ω min.
- Withstanding voltage: 500V AC/minute
- Applicable wire: AWG #32 to #28
- * Compliant with RoHS.
- * Refer to "General Instruction and Notice when using Terminals and Connectors" at the end of this catalog.
- * Contact JST for details.

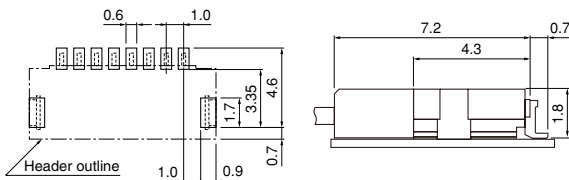
Standards

Recognized E60389

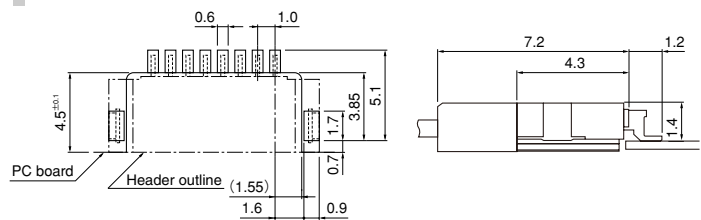
Certified LR20812

PC board layout (viewed from component side) and Assembly layout

Normal type

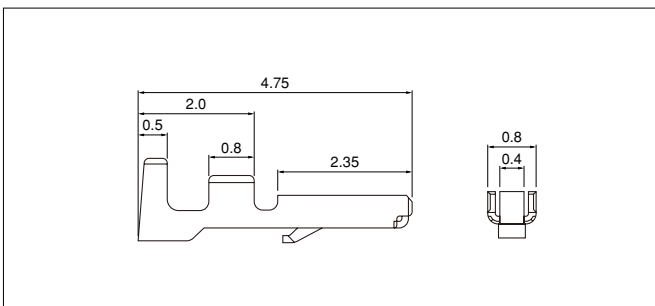


Offset type



- Note: 1. Tolerances are non-cumulative: $\pm 0.05\text{mm}$ for all centers.
2. The dimensions above should serve as a guideline. Contact JST for details.

Contact



| Model No. | Applicable wire | | | Q'ty / reel |
|----------------|-----------------|-------|----------------------|-------------|
| | mm ² | AWG# | Insulation O.D. (mm) | |
| SSHL-003T-P0.2 | 0.032~0.08 | 32~28 | 0.4~0.8 | 30,000 |

Material and Finish

Phosphor bronze, tin-plated (reflow treatment)

RoHS compliance

Note: Contact JST for gold-plated products.

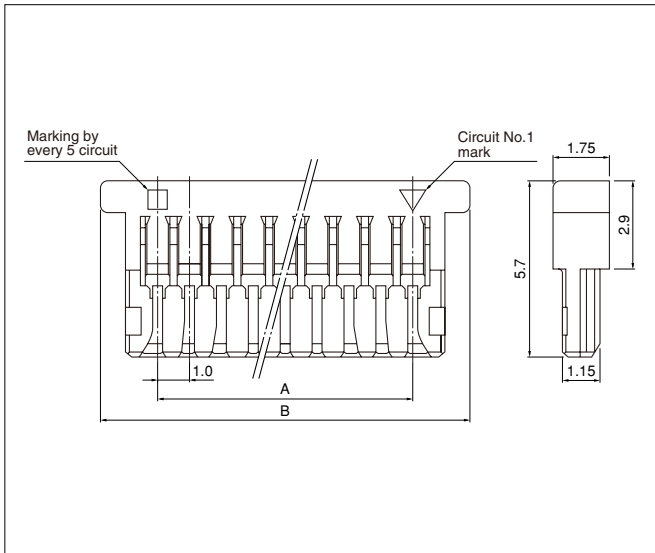
| Contact | Crimping machine | Applicator | | |
|----------------|------------------|------------------|-----------------|----------------------------|
| | | Crimp applicator | Dies | Crimp applicator with dies |
| SSHL-003T-P0.2 | AP-K2N | MKS-L-10-3 | MK/SSH/L-003-02 | APLMK SSH/L003-02 |
| | | *MKS-SC | SC/SSH/L-003-02 | APLSC SSH/L003-02 |

Note: *Strip-crimp applicator

Contact JST for applicable wires in case that it is not usable due to wire size.

SHL CONNECTOR

Housing



| Circuits | Model No. | Dimensions (mm) | | Q'ty / box |
|----------|------------------|-----------------|------|------------|
| | With protrusions | A | B | |
| 2 | SHLP-02V-S-B | 1.0 | 4.6 | 6,000 |
| 5 | SHLP-05V-S-B | 4.0 | 7.6 | 3,000 |
| 6 | SHLP-06V-S-B | 5.0 | 8.6 | 3,000 |
| 7 | SHLP-07V-S-B | 6.0 | 9.6 | 3,000 |
| 8 | SHLP-08V-S-B | 7.0 | 10.6 | 3,000 |
| 10 | SHLP-10V-S-B | 9.0 | 12.6 | 2,000 |
| 11 | SHLP-11V-S-B | 10.0 | 13.6 | 2,000 |
| 12 | SHLP-12V-S-B | 11.0 | 14.6 | 2,000 |
| 14 | SHLP-14V-S-B | 13.0 | 16.6 | 2,000 |
| 16 | SHLP-16V-S-B | 15.0 | 18.6 | 1,000 |
| 20 | SHLP-20V-S-B | 19.0 | 22.6 | 1,000 |
| 22 | SHLP-22V-S-B | 21.0 | 24.6 | 1,000 |
| 26 | SHLP-26V-S-B | 25.0 | 28.6 | 1,000 |
| 30 | SHLP-30V-S-B | 29.0 | 32.6 | 1,000 |

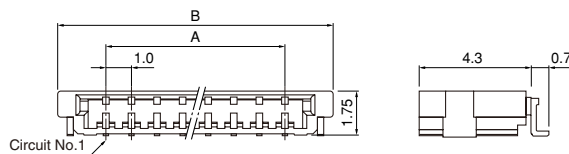
Material

PBT, UL94V-0, natural (white)

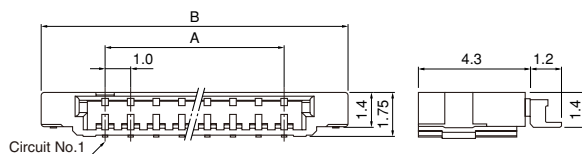
RoHS compliance

Shrouded header

Normal type



Offset type



| Circuits | Model No. | | Insulation O.D. (mm) | | | | Q'ty / reel |
|----------|---------------|-----------------|----------------------|------|-------------|------|-------------|
| | Normal type | Offset type | Normal type | | Offset type | | |
| | | | A | B | A | B | |
| 2 | SM02B-SHLS-TF | — | 1.0 | 4.8 | — | — | 4,500 |
| 5 | SM05B-SHLS-TF | — | 4.0 | 7.8 | — | — | 4,500 |
| 6 | SM06B-SHLS-TF | — | 5.0 | 8.8 | — | — | 4,500 |
| 7 | SM07B-SHLS-TF | — | 6.0 | 9.8 | — | — | 4,500 |
| 8 | SM08B-SHLS-TF | — | 7.0 | 10.8 | — | — | 4,500 |
| 10 | SM10B-SHLS-TF | — | 9.0 | 12.8 | — | — | 4,500 |
| 11 | SM11B-SHLS-TF | — | 10.0 | 13.8 | — | — | 4,500 |
| 12 | SM12B-SHLS-TF | — | 11.0 | 14.8 | — | — | 4,500 |
| 14 | SM14B-SHLS-TF | SM14B-SHLS-1-TF | 13.0 | 16.8 | 13.0 | 18.0 | 4,500 |
| 16 | SM16B-SHLS-TF | — | 15.0 | 18.8 | — | — | 4,500 |
| 20 | SM20B-SHLS-TF | SM20B-SHLS-1-TF | 19.0 | 22.8 | 19.0 | 24.0 | 4,500 |
| 22 | SM22B-SHLS-TF | — | 21.0 | 24.8 | — | — | 4,500 |
| 26 | SM26B-SHLS-TF | — | 25.0 | 28.8 | — | — | 4,500 |
| 30 | SM30B-SHLS-TF | — | 29.0 | 32.8 | — | — | 4,500 |

Material and Finish

Contact: Phosphor bronze, copper-undercoated, tin-plated (reflow treatment)
Housing: PA, UL94V-0, natural (ivory)
Solder tab: Brass, copper-undercoated, tin-plated (reflow treatment)

RoHS compliance This product displays (LF)(SN) on a label.
Note: Contact JST for the headers with gold-plated pins.